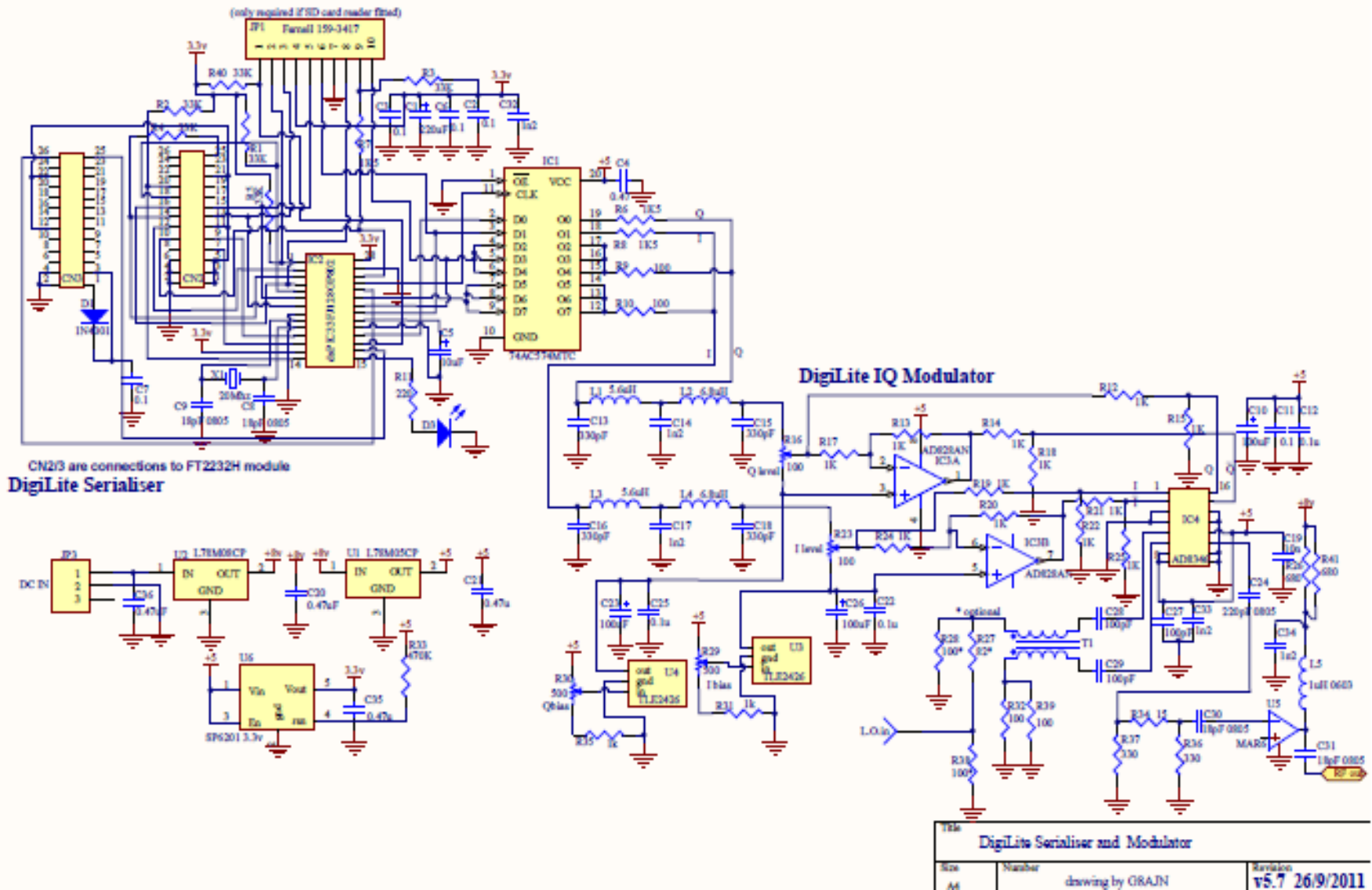
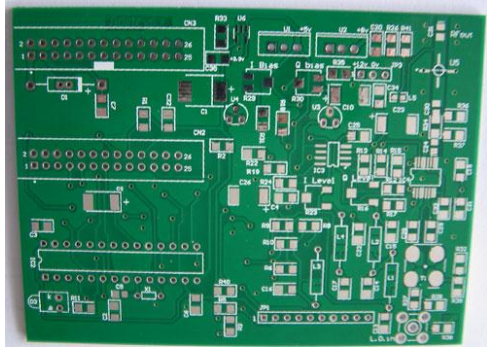


DigiLite UK – Grundprinzip



Schema Serializer und Modulator QPSK



(15.00 £)



(30.00 £)



(7.00 £)



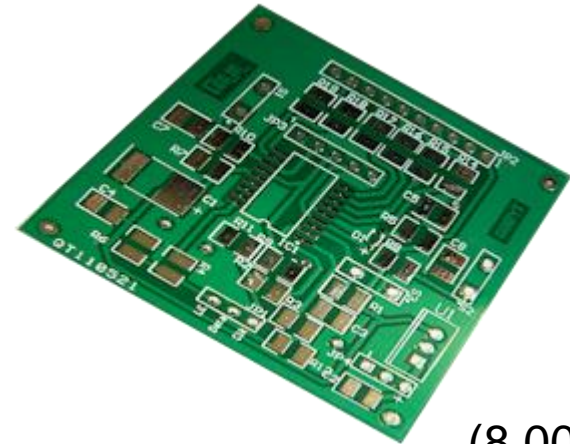
(3.00 £)



(32.00 £)



(8.00 £)



(8.00 £)

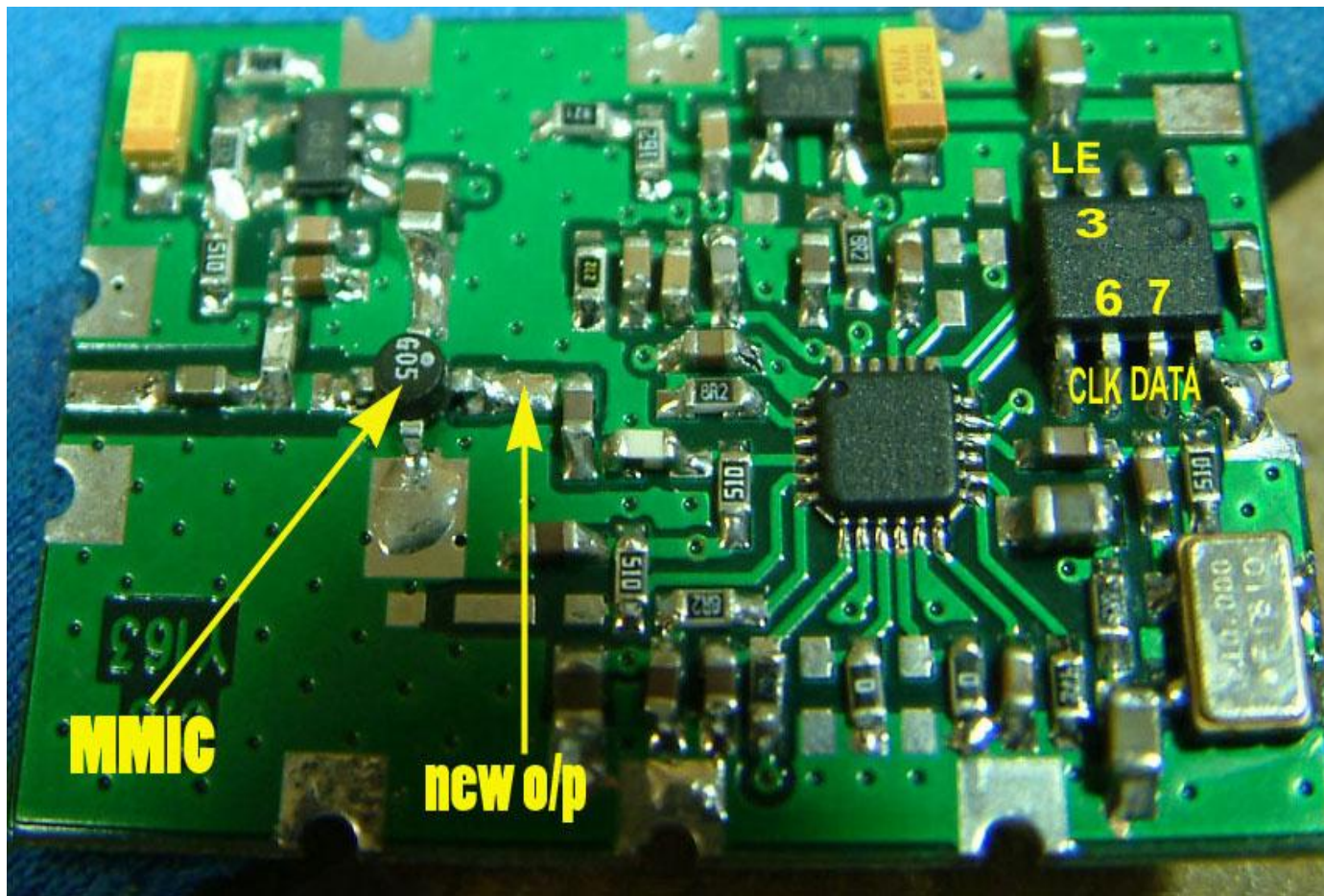
Verfügbare Komponenten und PCBs vom BATC Shop
<https://batc.org.uk/shop/hardware-and-kits>



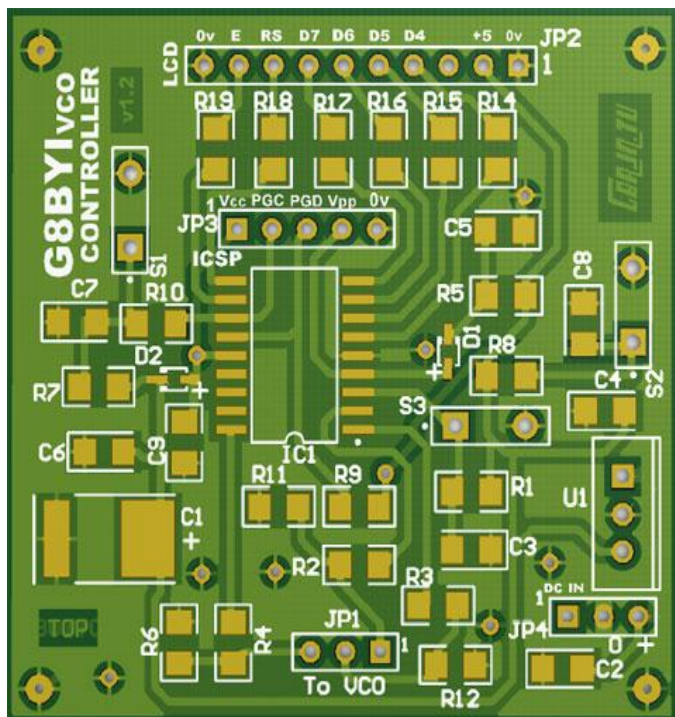
Serializer und Modulator QPSK



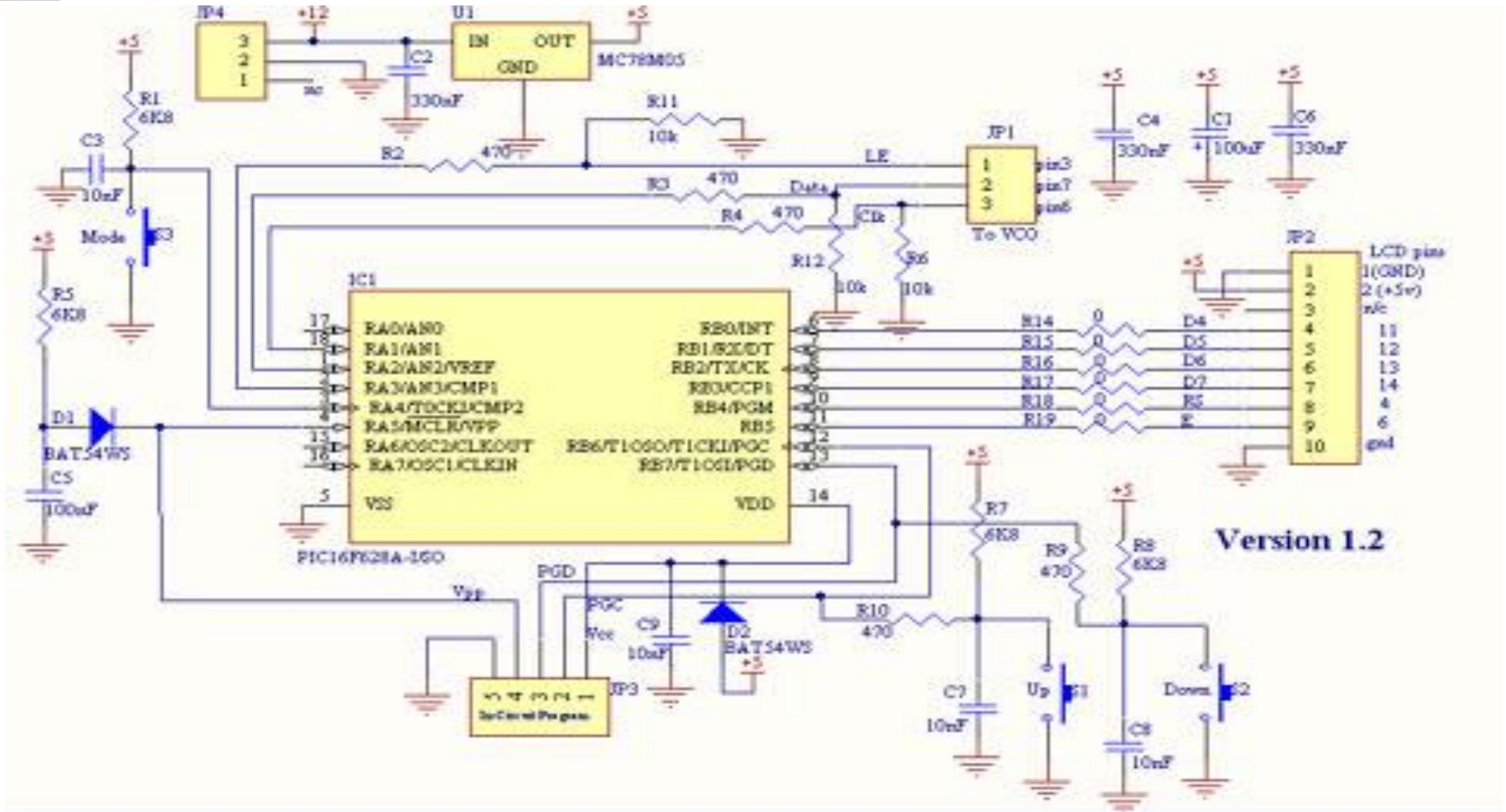
USB Interface vorprogrammiert (FT2232H)



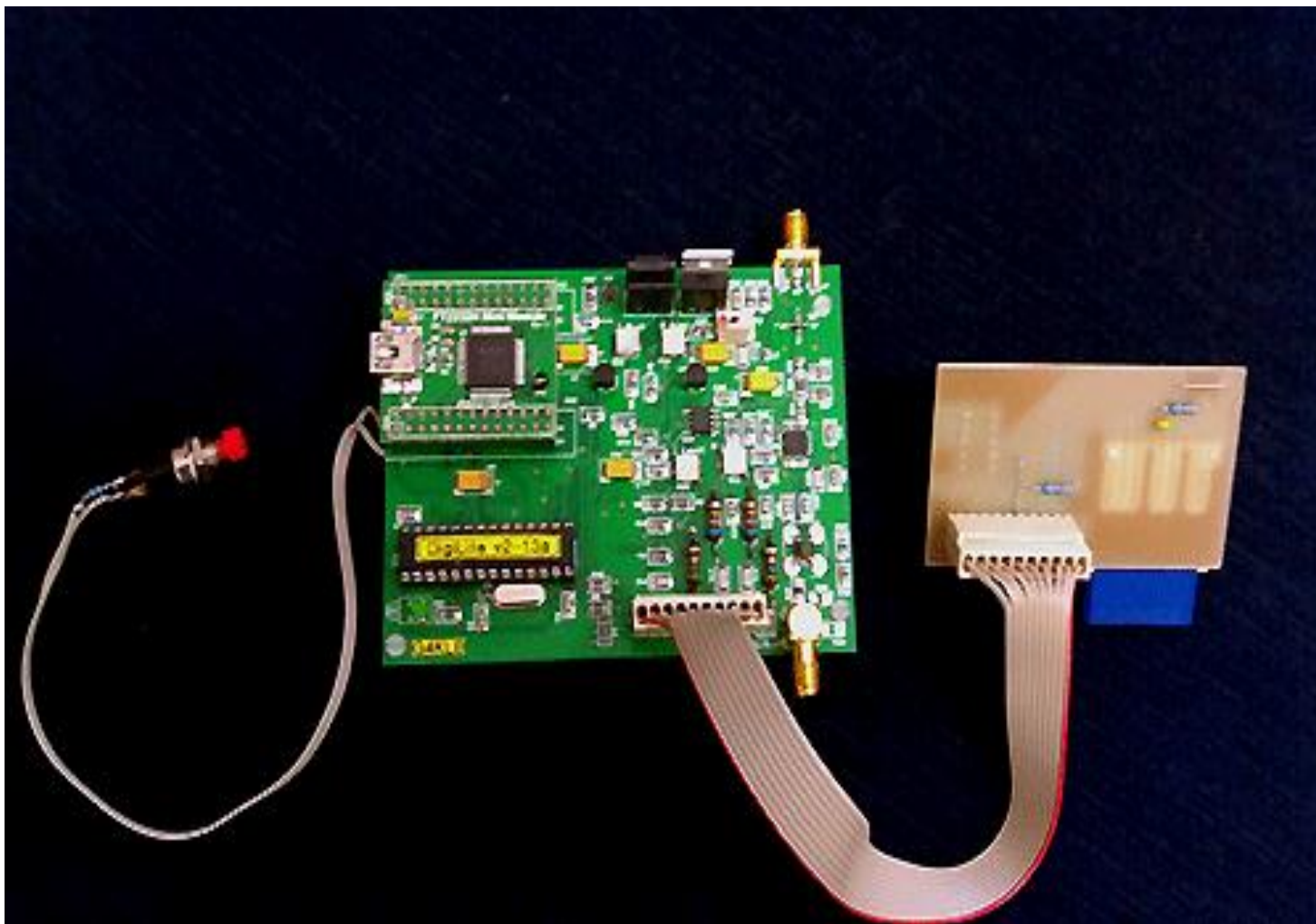
VCO Ultram Tech (1249 MHz ou 437 MHz)



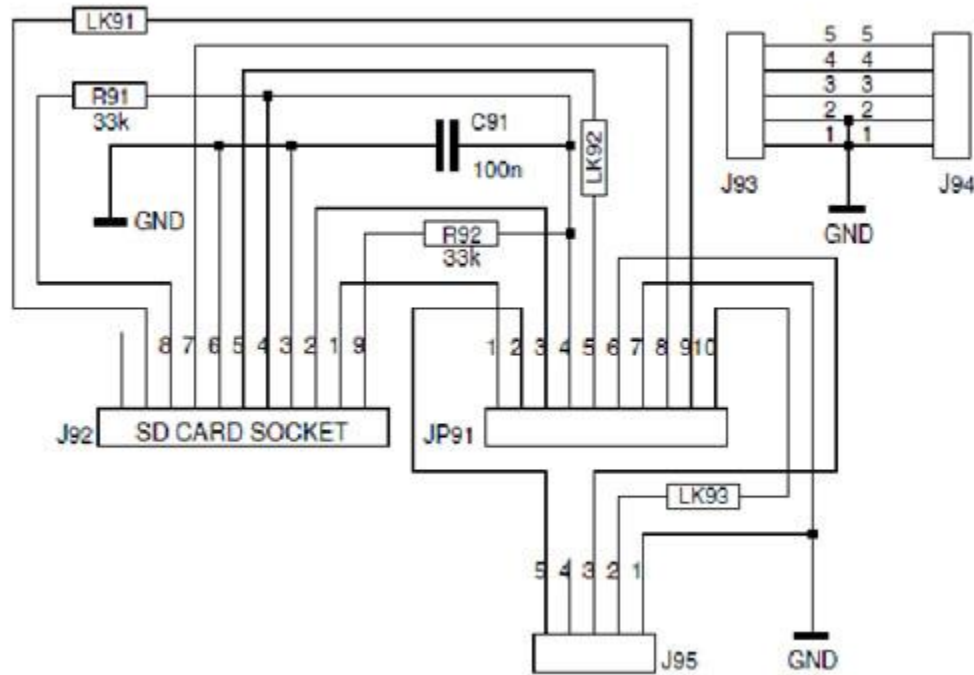
VCO Steuermodul



Schema VCO Steuermodule VCO



Erweiterung für eine SD-Speicherkarte



Schema Erweiterung SD-Karte





Konfiguration mit WinTV/Hauppauge HW

System Exit **TV Guide** Recordings Search Guide

Browse the TV Guide and select programmes to record

GBPVR Software

Recordings

Ready

Whats New

Pending

Recurring

Conflicts

Mode

Manual Rec

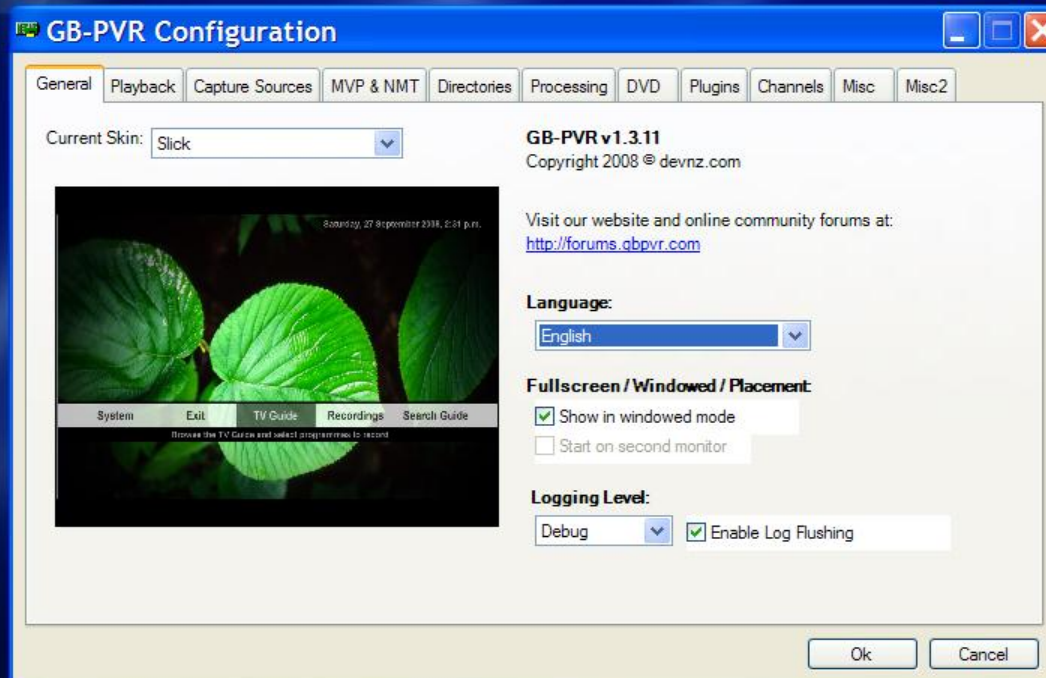
Main Menu

DATV-HB9AZN_20121115090000.mpg

15.11.2012 09:00 - 10:10

Recording

DATV-HB9AZN



1/1

Ready
Whats N
Pending
Recurrin
Conflicts
Mode
Manual Re
Main Mer

ding
AZN

Channel: DATV-HB9AZN
Start Date: 15.11.2012 (jeudi)
Start Time: 09:50
End Time: 10:50
Quality: Medium
Recording Type: Record Once
Name Prefix: DATV-HB9AZN_...

Record

Cancel

1/1



GBPVR Software – Manual recording

Recordings

Ready	DATV-HB9AZN_20121115090000-2.mpg	Recording
Whats New	15.11.2012 09:00 - 10:10	DATV-HB9AZN
Pending		
Recurring		
Conflicts		
Mode		
Manual Rec		
Main Menu		

1/1



GBPVR Software – Manual recording

Communications

DATA Com Port

12

CONTROL Com Port

13

Transport Stream

Symbol Rate

4000

FEC

3/4

 FEC on PC FEC on serialiser

TS Delay (ms)

200

Buffer Delay (ms)

200

Test Mode

Off

SAVE

Restore
Saved Values

MPEG Input

Capture Device

PVR

Input Method

Disk

Video bit rate

4490

Channel Info

PMT PID 4095

Channel Name HB9AZN-Digilite

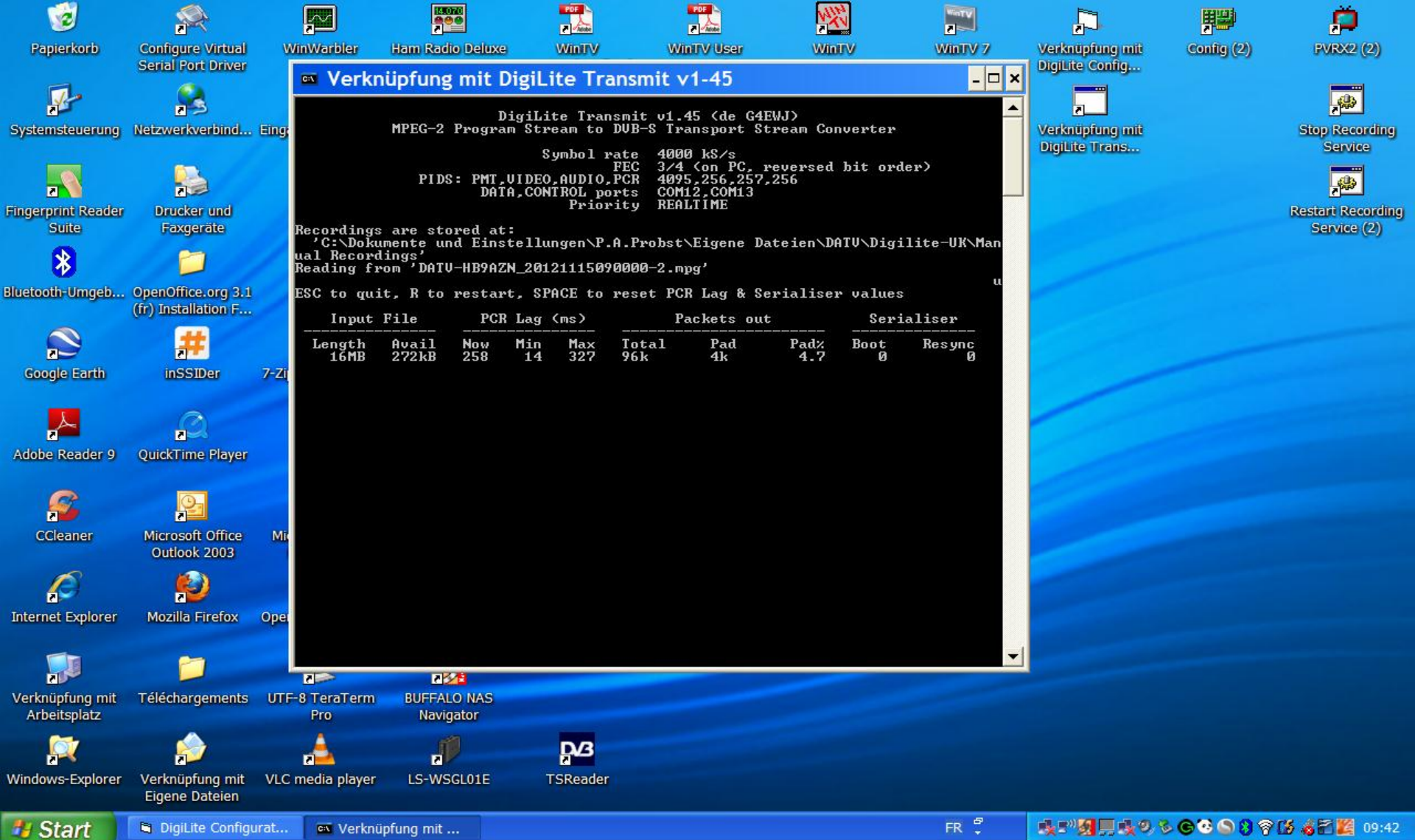
VIDEO PID 256

Programme Name Test Programme

AUDIO PID 257

EPG Info Test Info

DigiLite Konfiguration



GBPVR SW – Manual recording

Tuner Commands

LNB: 0V, 13V, 18V

SR8000 10.39GHz
SR7500 1280MHz
SR1000 1963Mhz
SR4000 11597Mhz
SR22000 11508Mhz

FEC: 1/2, 2/3, 3/4, 5/6, 6/7, 7/8

GO!

Relnit Reset

H99AZN

Web Station ID: 1
Vallamand
JN36MW

Ant. Dir. omni Gain 20 dB
preampli gain 20 dB

Lg Msg er#
Web Chl WebEr 0

BaseBand Gain STB6100

Bandwidth 10 MHz

Frequency kHz

1280000

Freq set: 1279995
Derotator Deviation: 2 kHz
Freq found: 1279997

Phase Derot Algo: Algo QPSK n°1, Algo QPSK n°2

PLL Carrier

Alpha a, Alpha b, Beta c, Beta d, Beta e

alpha carrier = 16777215 Nat Freq = 61.70 khz
beta carrier = 11776 Damping factor = 3.14

Offset Detection

gain 7 ON
time 2 OFF
refer. -64

IQ Compensation

ON: IGwep, DCOffset, Imbalance, Q/I = 0.96
Off: DCOffset, Imbalance, Q/I = 0.96

Tutioune DV3

Symbolrate(KS)

04000

SR set: 4000 kS
max offset: 8 kS
Deviation: 0 kS
SR pointed: 4000 kS

PLL Timing

Alpha: 4, Beta: 6

alpha timing = 16 Nat Freq = 0.80 khz
beta timing = 64 Damping factor = 1.3

SR search

Step-: 8, Step+: 4

Search ramp: 16

Search threshold: 48

search domain: 6

Max: 5200, Mini: 2449

mode range: 1600ppm, *STV0299

Baud Rate: very slow, normal

Search mode: Stop, Copy Offset, Auto

Ramp mode: On, Off

AGC Tuner

compensation speed: 1 (slow to fast)

Referency: 16

Timing Cste ms: 27

AGC Tuner = 0 U

Pwm period: CLK/64, CLK/16

AGC1: 35 dB, AGC2: 70 dB

0 dB

AGC post Nyquist Filter

compensation speed: 1 (slow to fast)

post Nyquist Ref: 23

Timing Cste us: 49

AGC Integrator = 577 U

AGC2: 14 dB, AGC2: 28 dB

25 dB

Decoding Commands

Pid from TS, Pid from .ini

HB9AZN-Dig, station6, station7, station8, station9, station10

Provider: DigiLite
PID Video 00256 audio 00257

Format: 4/3, 16/9, 1/1, autoformat 4/3

Station: HB9AZN-Dig
infos: no comment

Photo/XML, Web, JPG, UDP

Timing capture: 3 sec, Record

sent: 000000 bytes, NbErr: 000, er#

Look at analyze photo

Carrier Lock: 126, Synchro: 186

Power RF: -77 dBm, IQ Level: x2, S/N MER: 31.0 dB

Constellations: Alter Demodul, Alter Nyquist, Alter Derotator, At ADC output

Bits corrected: 0, Bytes corrected: 0, Bits corrected by Viterbi: 0

Recvd Packets: 1631, Dvertaken: 183, delta: 18 ms

Quit

TS Status: IN, chanel, OUT

Vber: 100%, Fec 3/4

